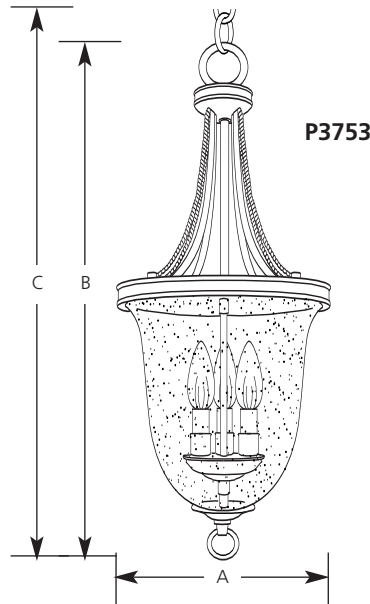


| Type | -09 | -33 | -77 |
|-------|--------------------------|--------------------------|--------------------------|
| P3753 | <input type="checkbox"/> | <input type="checkbox"/> | <input type="checkbox"/> |
| P3754 | <input type="checkbox"/> | <input type="checkbox"/> | <input type="checkbox"/> |

| Catalog No. | Finish | | | Lamping | Dimensions (Inches) | | |
|-------------|----------------|--------------|---------------|-----------|---------------------|--------|-----|
| | Brushed Nickel | Cobble-stone | Forged Bronze | | A | B | C |
| P3753 | -09 | -33 | -77 | 3 (c) 60w | 9-3/4 | 24-1/2 | 98 |
| P3754 | -09 | -33 | -77 | 6 (c) 60w | 14-1/4 | 36-1/2 | 158 |



Specifications:

General

- Clear seedy glass bowl
- Decorative tubing, wire rope details and a glass retaining ring
- Brushed (-09) Nickel finish is plated, the rest are hand painted
- Six feet of 9 gauge chain supplied for P3753
- Ten feet of 9 gauge chain supplied for P3754

Electrical

- Candelabra base socket
- 15 feet of wire
- Pre-wired

Labeling

- UL-CUL listed

Mounting

- Ceiling mount on chain
- Covers outlet box
- Canopy 4-3/4" dia.
- Mounting strap for outlet box included